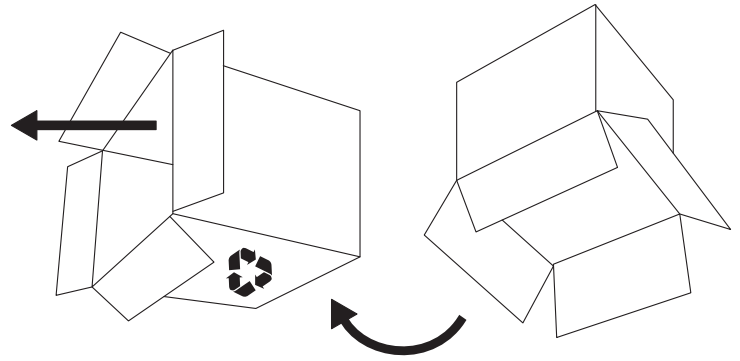


2



1

**NOTE** Never move the product by sliding/dragging or lifting by the armrests: the correct way to move is by lifting it from underneath the base/arm. Protect the edges of your furniture while in transit. Protect non-carpeted floors by using felt pads beneath the chair at all times. Ensure to tighten screws, bolts and knobs every four months or as required.

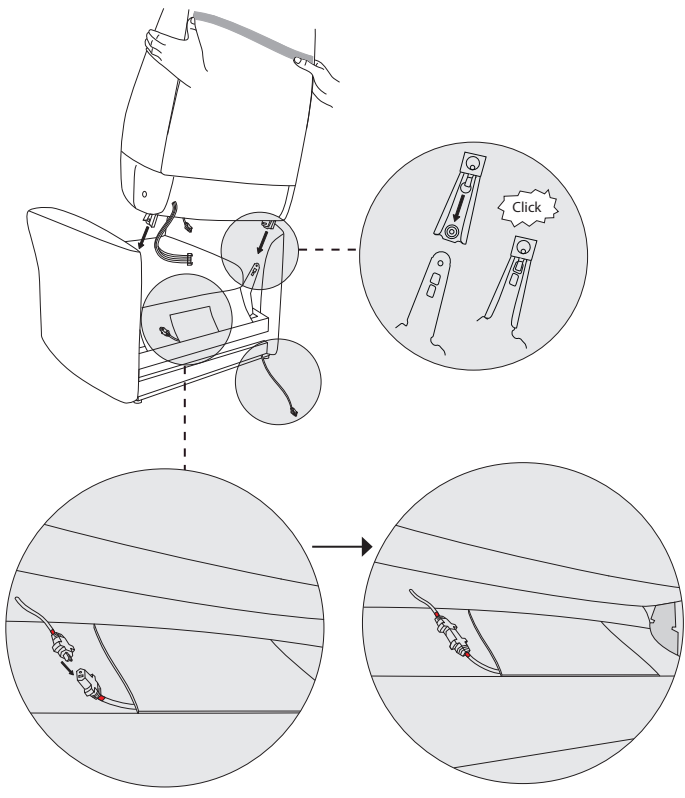
## Assembly Instructions

Lift chair with massage

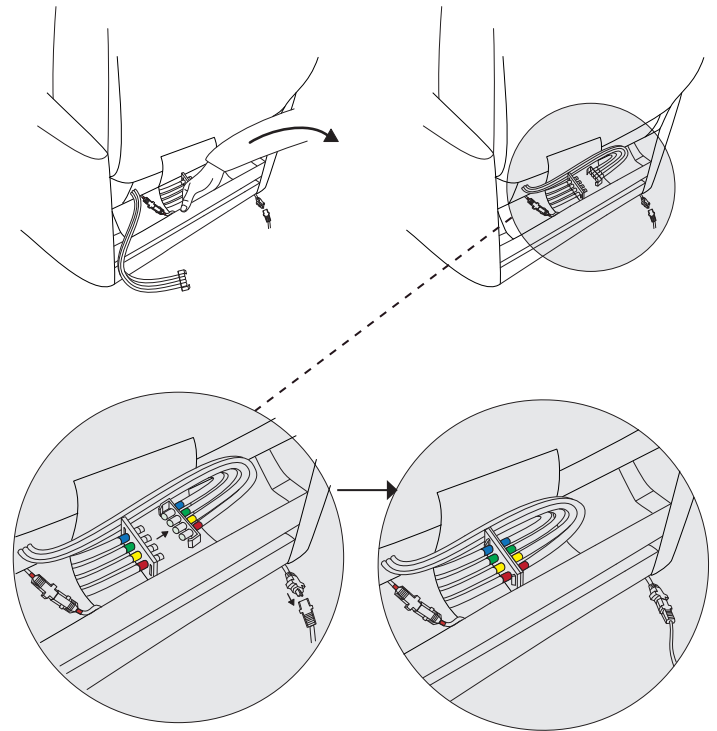
Dual motor



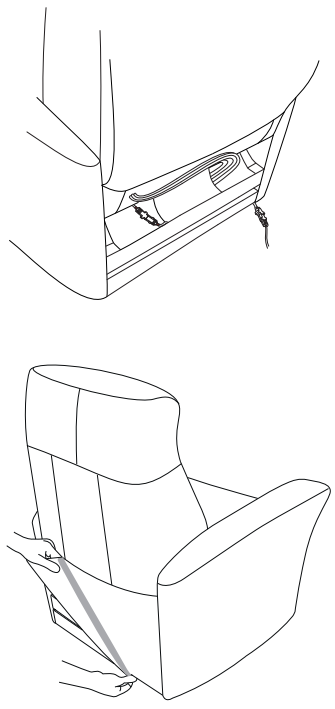
3



4



5



6

