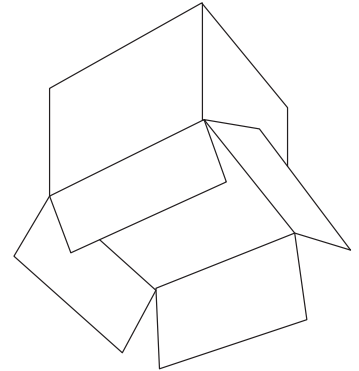
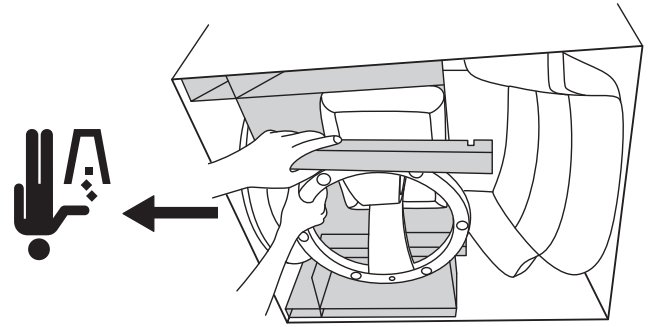


2



1

## Instructions for use

The recline function allows you to change your sitting position without the need to use handles or levers. Every position is a balancing point in this perfectly functioning system.

To personalise the chair to your body requires a simple adjustment which can be changed if required by a simple process:

- Sit in the chair and put your feet up on the footstool.
- Lean backwards. If the back of the chair glides too easily or not easily enough, grip the adjustment knob on the outside of the chair and twist until the gliding action suits you.
- The knob is designed to adjust the tension only and should not be used to lock the chair in place.

### NOTE

Never move the product by sliding/dragging or lifting by the armrests: the correct way to move is by lifting it from underneath the base/arm.

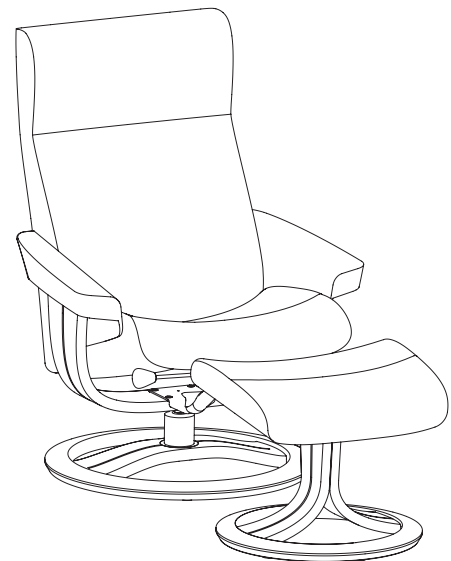
Protect the edges of your furniture while in transit.

Protect non-carpeted floors by using felt pads beneath the chair at all times.

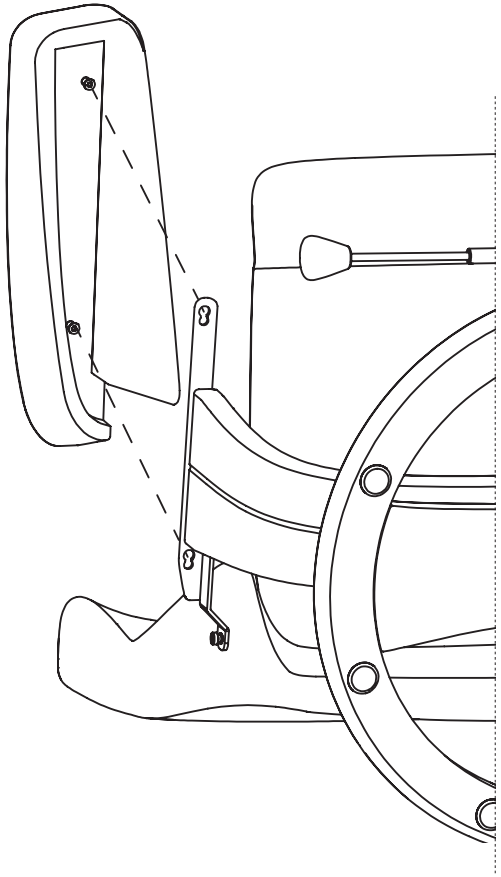
Ensure to tighten screws, bolts and knobs every four months or as required.

## Assembly Instructions

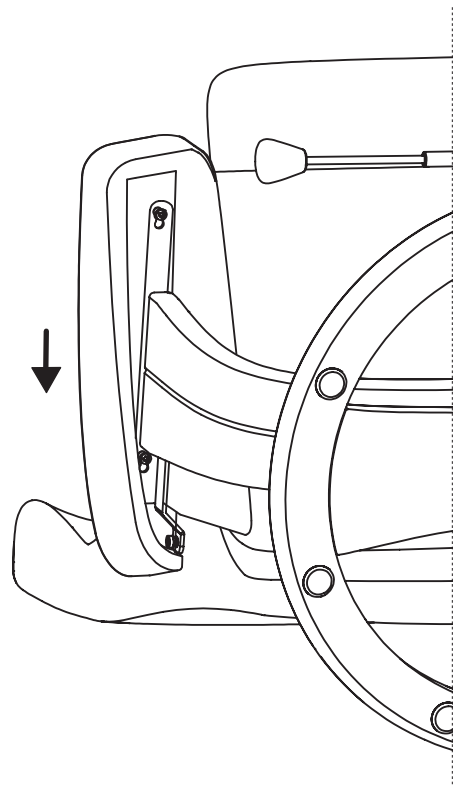
### Pedestal Chair



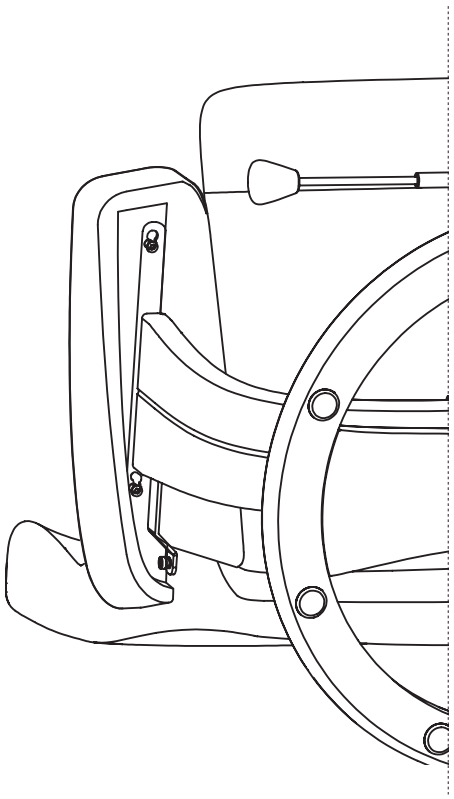
3



4



5



6

