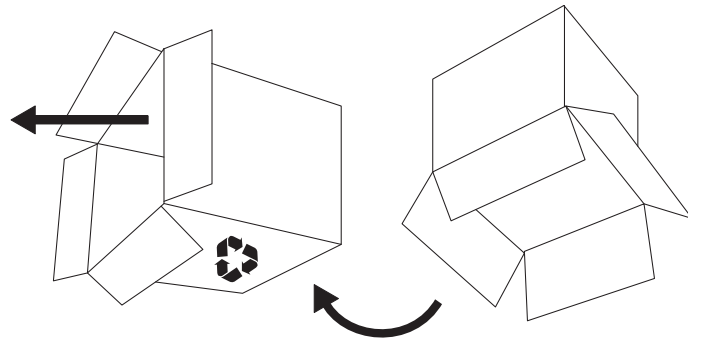


2



3

Assembly Instructions

Glider chair manual & Glider chair power

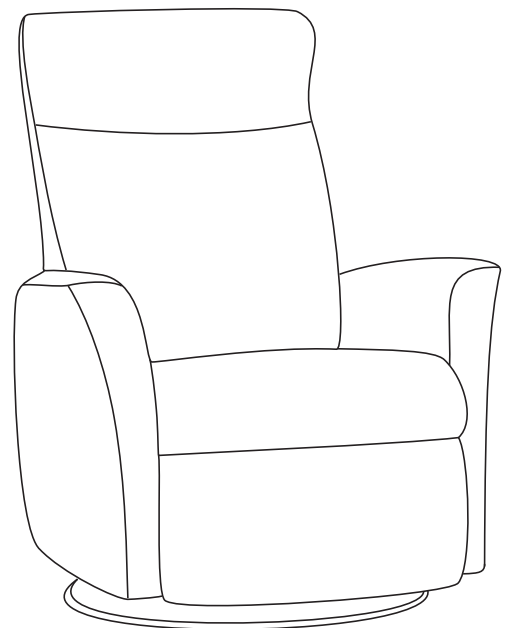
NOTE

Never move the product by sliding/dragging or lifting by the armrests: the correct way to move is by lifting it from underneath the base/arm.

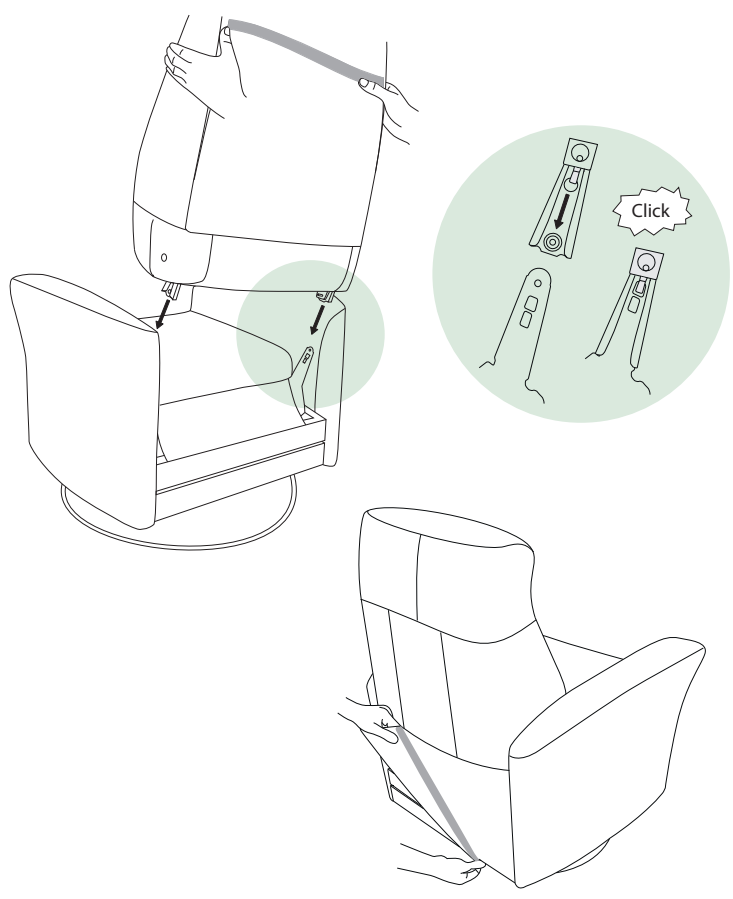
Protect the edges of your furniture while in transit.

Protect non-carpeted floors by using felt pads beneath the chair at all times.

Ensure to tighten screws, bolts and knobs every four months or as required.

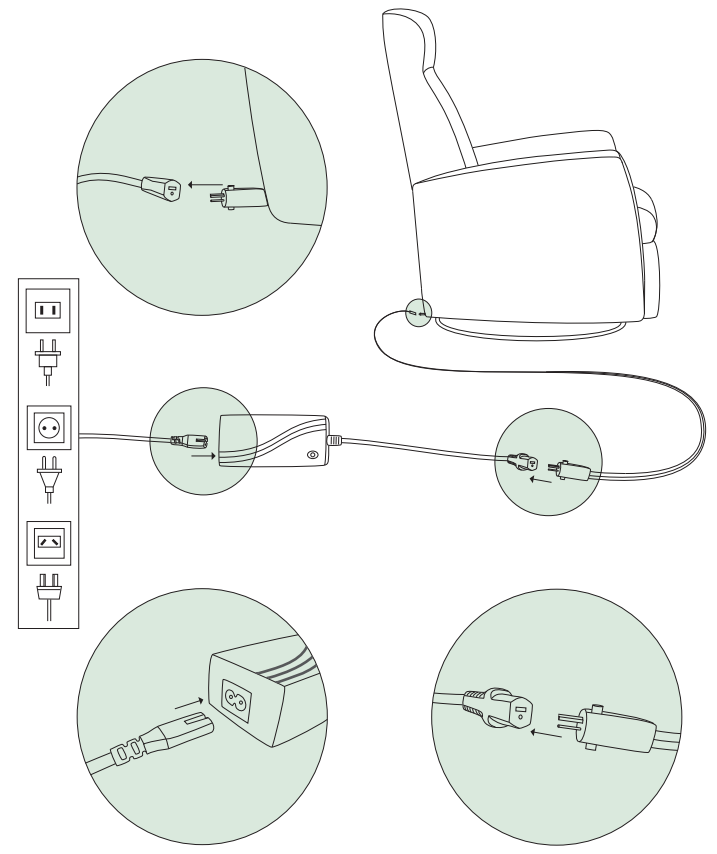


3

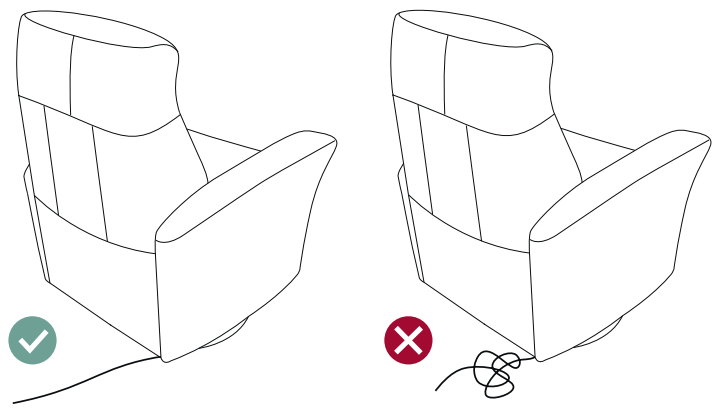


4

POWER ONLY



5



!

Max 25 kg

JANUARY	FEBRUARY	MARCH	APRIL
MAY	JUNE	JULY	AUGUST
SEPTEMBER	OCTOBER	NOVEMBER	DECEMBER